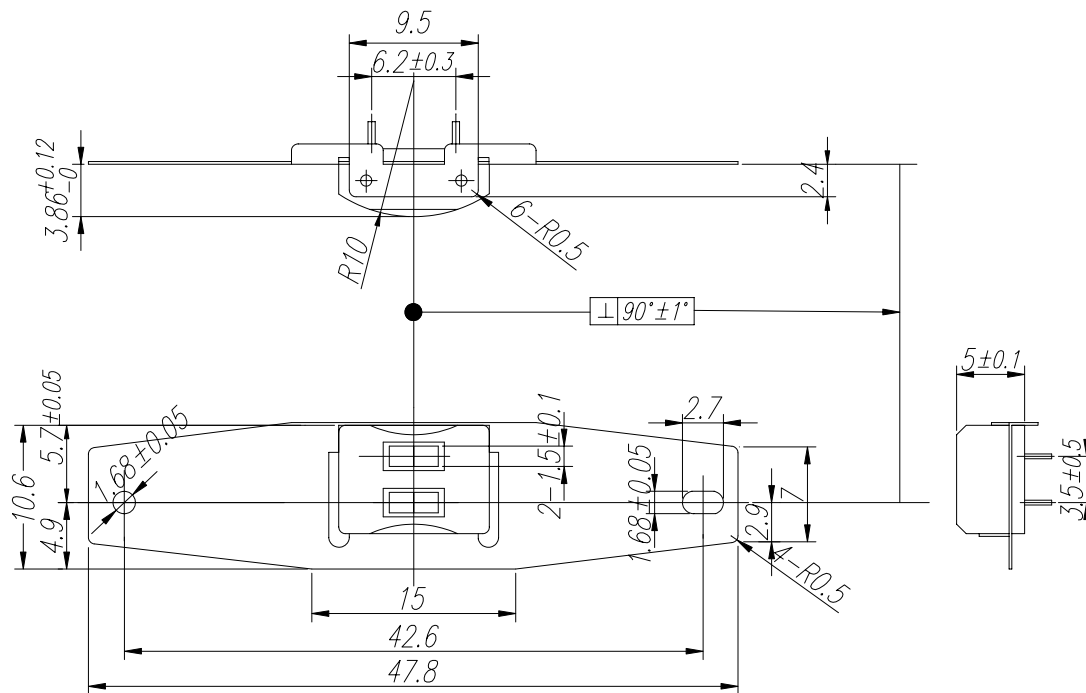


SYM	ECN NO	DATE	APPRVAL
△			



### Specification

Inductance	mH	28± 30%	1KHz	100 mA at 20°
DC Resistance	Ω	140± 25%	DC	
Recording Density	BPI	210		
Tape Speed	IPS	7.5	Measuring Tape PM50-78	
Read Output	mVp-p	20± 25%		
Insulation R	MΩ	50	250V DC	
Core Earth	Ω	100 Max	100 mA	
Gap Length	μ m	12.5± 6		
Track Width	mm	1.5 ± 0.1		
Head Life	Times	500,000Min		

UNLESS OTHERWISE NOTED:

1) DIMENSIONS ARE IN MILLIMETERS

2) TOLERANCES:

.X ± .1

.XX ± .05

ANGLES ± 0°~30°

SCALE

2/1

MM

REV

A

CORE MATERIAL: PERMALLOY

MODEL

SR22-8

DWG. NO

01020208

2 TRK READ HEAD



**SUZHOU SPARK**

DWG

DGN

CHK

APP

ZHC

苏州星火磁电技术有限公司图纸