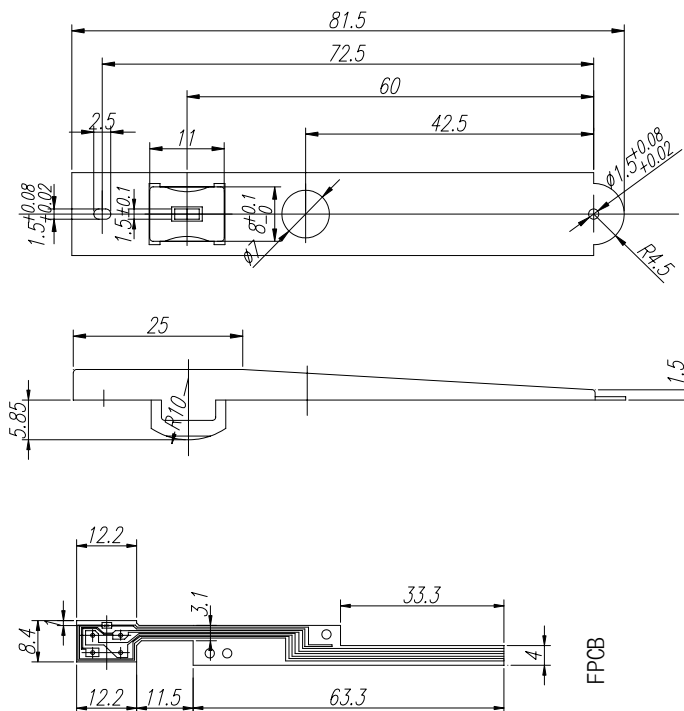
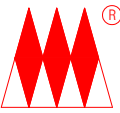


SYM △	ECN NO	DATE	APPRVAL
----------	--------	------	---------



D.C RESISTANCE	280 ohm±20%
INDUCTANCE(1KHZ,300MV)	110 mH±25%
READ OUTPUT	25 mVp-p
RECORDING CURRENT	50 mA MAX
INSULATION(250V D.C)	50 MOHM(MIN)
EARTHING RESISTANCE	10 OHM(MAX)
RECORDING DENSITY	210 BPI
TAPE TYPE	3M-176
TAPE SPEED	7.5 IPS
CORE	sendust

MATERIAL		Q'TY	1	FINISH	BARREL		
TOLERANCE	X.X = ±0.1	SCALE	2/1	MM	REV	A	
	X.XX = ±0.05	DATE	2003 03. 12				
DWG	DGN	CHK	APP	TITLE	NCR-SR11S-021-F		
ZHC				MODEL	ATM-8		
 <b>SUZHOU SPARK</b>				DWG. NO	01211008		/

苏州星火磁电技术有限公司图纸