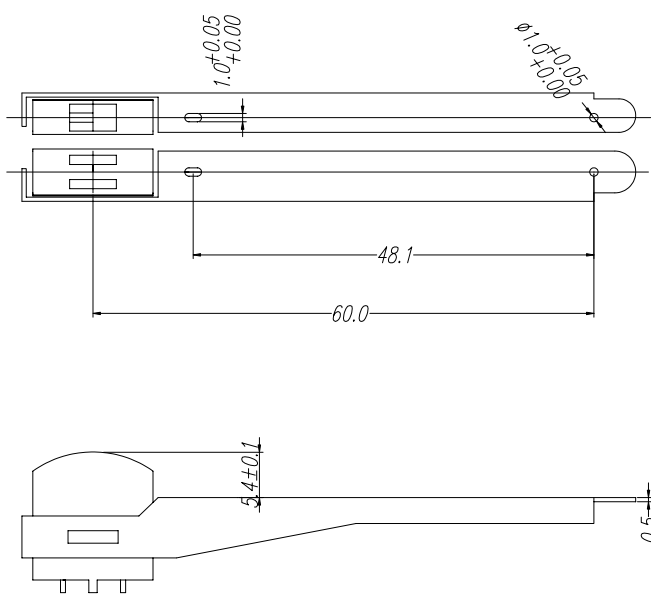
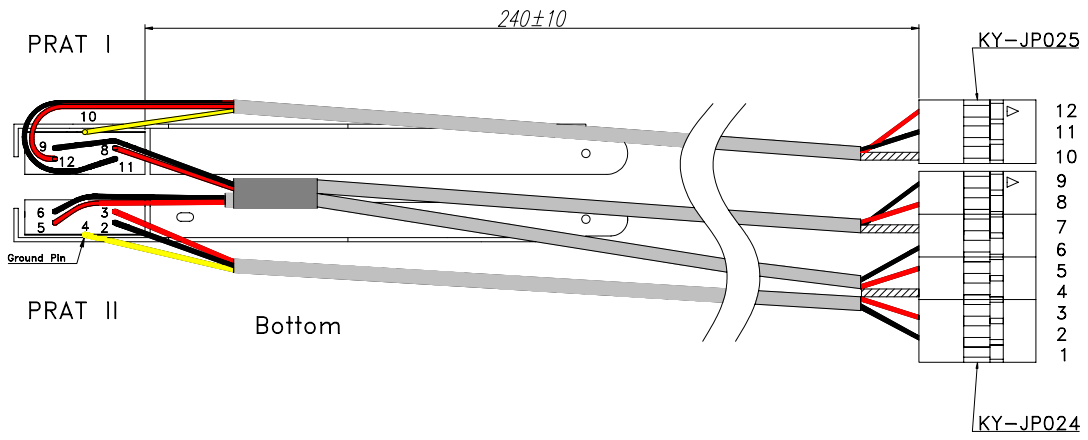


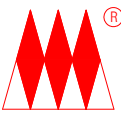
|     |        |      |         |
|-----|--------|------|---------|
| SYM | ECN NO | DATE | APPRVAL |
| △   |        |      |         |



| PIN | COLOR  | POSITION |
|-----|--------|----------|
| 1   |        | NC       |
| 2   | White  | 3 Trk W  |
| 3   | Red    | 3 Trk W  |
| 4,7 | Yellow | Ground   |
| 5   | Red    | 3 Trk R  |
| 6   | White  | 3 Trk R  |
| 8   | Red    | 1 Trk R  |
| 9   | White  | 1 Trk R  |
| 10  | Yellow | Ground   |
| 11  | White  | 2 Trk R  |
| 12  | Red    | 2 Trk R  |

|                        |          |              |
|------------------------|----------|--------------|
| D.C RESISTANCE         | $R_{12}$ | 100 ohm±20%  |
|                        | $R_2$    | 100 ohm±20%  |
|                        | $W_{12}$ |              |
| INDUCTANCE(1KHZ,300MV) | $W_s$    | 50 ohm±20%   |
|                        | $R_{12}$ | 25 mH±25%    |
|                        | $R_2$    | 75 mH±25%    |
|                        | $W_s$    | 6.0 mH± 25%  |
| READ OUTPUT            |          | 25 mVp-p     |
| RECORDING CURRENT      |          | 50 mA MAX    |
| INSULATION(250V D.C)   |          | 50 MOHM(MIN) |
| EARTHING RESISTANCE    |          | 10 OHM(MAX)  |
| RECORDING DENSITY      |          | 210 BPI      |
| TAPE TYPE              |          | 3M-176       |
| TAPE SPEED             |          | 7.5 IPS      |
| CORE                   |          | sendust      |

PART I : 1,2 Trk Read Only  
 PART II : 3 Trk Read/Write

|   |     |       |     |                |  |          |  |
|---|-----|-------|-----|----------------|--|----------|--|
| MATERIAL  |     | Q'TY  |     | FINISH         |  | BARREL   |  |
| TOLERANCE   |     | SCALE |     | DATE           |  |          |  |
| X.X = ±0.1  |     | 2/1   |     | 2003 03. 12    |  |          |  |
| X.XX = ±0.05  |     | MM    |     |                |  | REV      |  |
| ANGLE =   |     | DATE  |     | 2003 03. 12    |  |          |  |
| DWG   | DGN | CHK   | APP | TITLE          |  |          |  |
| ZHC   |     |       |     | NCR-S2R1RW-101 |  |          |  |
|  <b>SUZHOU SPARK</b> |     |       |     | MODEL          |  | ATM-4    |  |
|   |     |       |     | DWG. NO        |  | 01211004 |  |

## 苏州星火磁电技术有限公司图纸