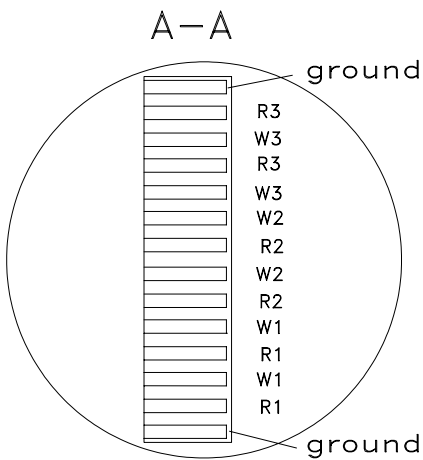
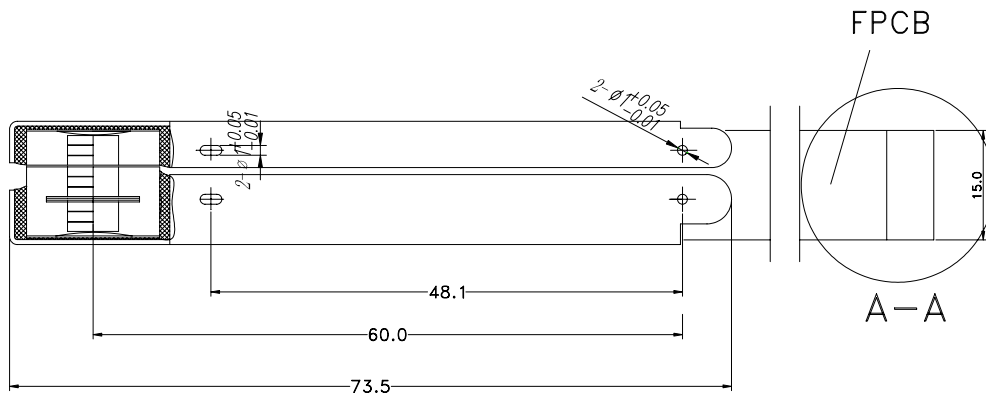
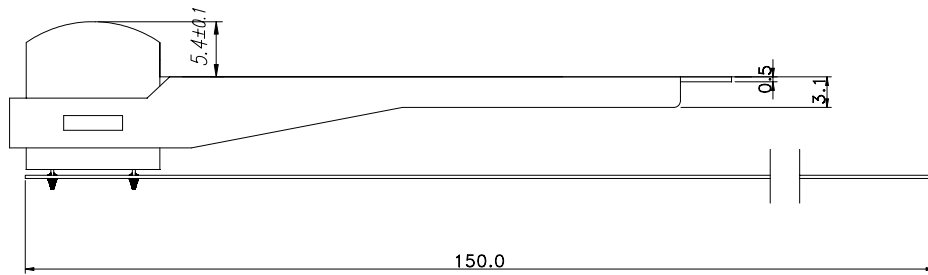



SYM	ECN NO	DATE	APPRVAL
△			



D.C RESISTANCE	R	95 OHM±20%
	W	45 OHM±20%
INDUCTANCE(1KHZ,300MV)	R	56 mH±25%
	W	5.5 mH±25%
READ OUTPUT		12 mVp-p
RECORDING CURRENT		50 mA MAX
INSULATION(250V D.C)		50 MOHM(MIN)
EARTHING RESISTANCE		10 OHM(MAX)
RECORDING DENSITY		210 BPI
TAPE TYPE		3M-176
TAPE SPEED		7.5 IPS
CORE		sendust

MATERIAL		Q'TY	1	FINISH	BARREL	
TOLERANCE	X.X = ±0.1	SCALE	2/1	MM	REV	A
	X.XX = ±0.05	DATE	2003 03. 12			
DWG	DGN	CHK	APP	TITLE	NCR-S3RW-101-F	
ZHC				MODEL	ATM-2	
 SUZHOU SPARK				DWG. NO	01211002	

苏州星火磁电技术有限公司图纸