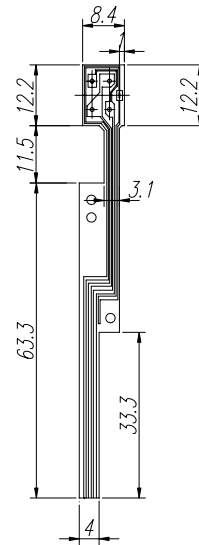
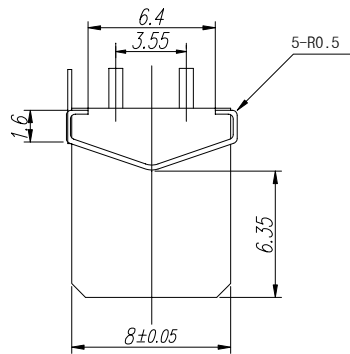
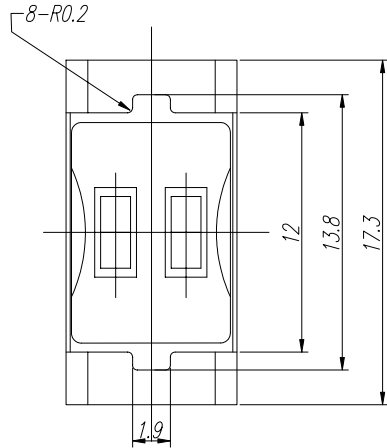



| | | | |
|----------|--------|------|---------|
| SYM △ | ECN NO | DATE | APPRVAL |
|----------|--------|------|---------|



FPCB

| | |
|------------------------|--------------|
| D.C RESISTANCE | 280 ohm±20% |
| INDUCTANCE(1KHZ,300MV) | 110 mH±25% |
| READ OUTPUT | 25 mVp-p |
| RECORDING CURRENT | 50 mA MAX |
| INSULATION(250V D.C) | 50 MOHM(MIN) |
| EARTHING RESISTANCE | 10 OHM(MAX) |
| RECORDING DENSITY | 210 BPI |
| TAPE TYPE | 3M-176 |
| TAPE SPEED | 7.5 IPS |
| CORE | sendust |

| | | | | | | | | | |
|---|--|--------------|--|-------------|--|-------------|--|----------|--|
| MATERIAL | | Q'TY | | 1 | | FINISH | | BARREL | |
| TOLERANCE | | X.X = ±0.1 | | SCALE | | 2/1 | | MM REV A | |
| | | X.XX = ±0.05 | | DATE | | 2003 03. 12 | | | |
| ANGLE = | | DWG | | DGN | | CHK | | APP | |
| ZHC | | TITLE | | SPR22-012-F | | | | | |
|  SUZHOU SPARK | | MODEL | | ATM-12 | | | | | |
| | | DWG. NO | | 01211012 | | | | | |

苏州星火磁电技术有限公司图纸